

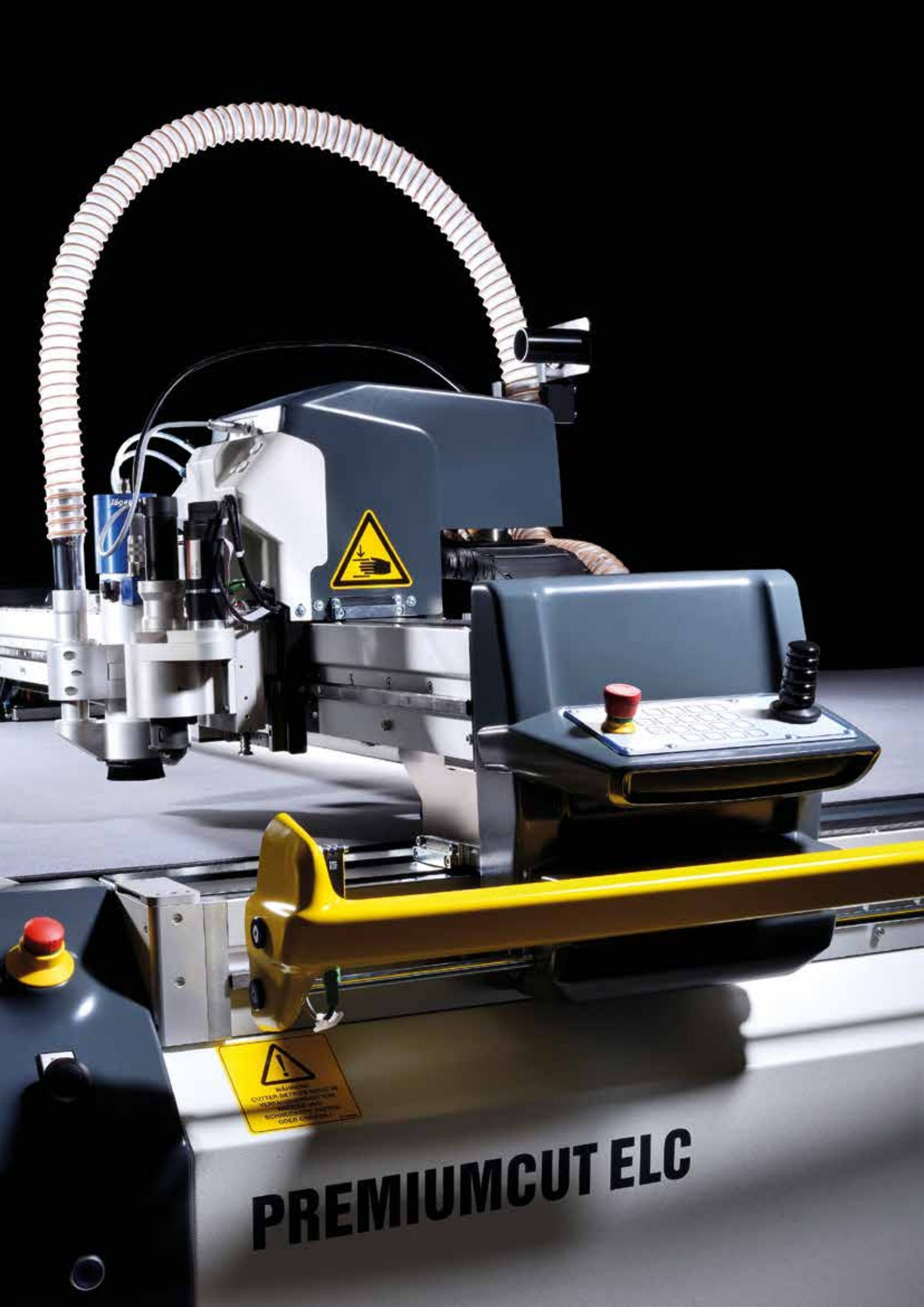
# bullmer

cutting room technology



A CLASS OF IT'S OWN-  
**THE PREMIUMCUT**

Innovation  Made  
 in  
 Germany



**PREMIUMCUT ELC**

---

Whether it is clothing, wind turbines, car seats, sofas or fashion – the Mehrstetten based market leader bullmer GmbH ensures the right design.

The company based in Mehrstetten in South Germany develops and produces automated machines for material handling, material flow and automatic cutting. Universally acclaimed high-quality, precision cutting systems with sorting and distribution technology for various widths and all desired lengths with the quality mark known all over the world as “Made in Germany.”

What began 80 years ago as a metal workshop in the Swabian Alps, has today grown into an international market leader. With more than 130 employees, bullmer manufactures products for Germany, Europe, Asia and North and Central America. The company’s customers include the who’s who of the international automotive, furniture, Textile, graphics and wind power industries. All of them appreciate the economic efficiency and productivity that they achieve using bullmer’s machines.

Based on the machine design customized for individual customers, bullmer is in a position to develop and manufacture any machine for any desired height and length of material with the best quality, extreme processing precision, remarkably professional and well developed service and short response times. Bullmer offers all the necessary solutions and services under one roof: from machines for cutting applications in single layer and multilayer to material handling and right up to storage systems. The widest range of materials including films, fabrics, leather, carbon fibres and cardboard achieve their perfect finish that is, their **best shape** using bullmer machines.

Comprehensive, professional, universally available service complements the range of services of this Swabian company. A team of 130 employees – employees who value their work and of course have the technical knowledge and are glad to be a point of contact for their customers and for whom Quality, Service and Competence are a matter of daily life - is what makes bullmer a provider of cutting solutions, who is in great demand all over the world.



Apparel



Uphostery



Automotive

your advantages:

- Productive.**  
Acceleration up to 2g Speed up to 120 m/min (2 m/s).
- Variable.**  
Versatile due to large tooling range.
- Modular.**  
Anytime quick retooling and retrofiting.
- Robust construction.**  
Drive system with 2 separate x-axis-drives.
- Simple.**  
Tool change within seconds.
- Customised.**  
Machines can be adapted to customer requests.
- Ecological.**  
High vacuum with low energy consumption.
- Dimensions.**  
Standard and custom-made.



Creasing tool



V-Cut



Drag knife



Kiss Cut



Inkjet



Ultrasonic tool



Composites & Technical Textiles



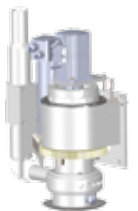
Graphic



Packaging



Notch tool



Grinding tool



Milling tool



Drilling tool



Electric powered rotary blade



Pneumatic oscillating knife



Electric oscillating knife

# A CLASS OF IT'S OWN- THE PREMIUMCUT

## Flexible Options:



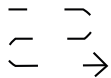
### Visualisation.

Dedicated software with laser projection system for leather cutting.



### Automation.

Material handling from material roll storing system, unwinding units and rewinding units.



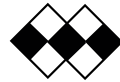
### Marking.

Marking tool with pen, spray tool, inkjet or labeller.



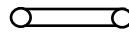
### Barcode scanner.

Cut-files and parameter sets recognition.



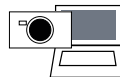
### Pattern matching.

Advanced solution for pattern matching and cutting of patterned material.



### Conveyor-Extension

Customisable feeding-zone and off-load-zone.



### Digitise.

Digital camera pattern capture and instant pattern processing.

## Specifications:

### Characteristics:

working length

1200, 2000, 2500, 3200 mm

working width

1400, 1600, 1800, 2200,  
2600,2800, 3200, 5000 mm

Working height

880 mm +/- 40 mm

Max. cutting height

Up to 50 mm (material dependent)

Max. acceleration

2g

Positioning speed

120 m/min

Repeat accuracy

0,1 mm

### Connection Values:

Standard vacuum-range

open or zoned

Compressed air

6 bar

Power

3,5 kW plus power of  
vacuum pump

### Drive system:

Gantry-drive (2 motors)

Drill hole diameter

1 – 10 mm

### Environmental conditions:

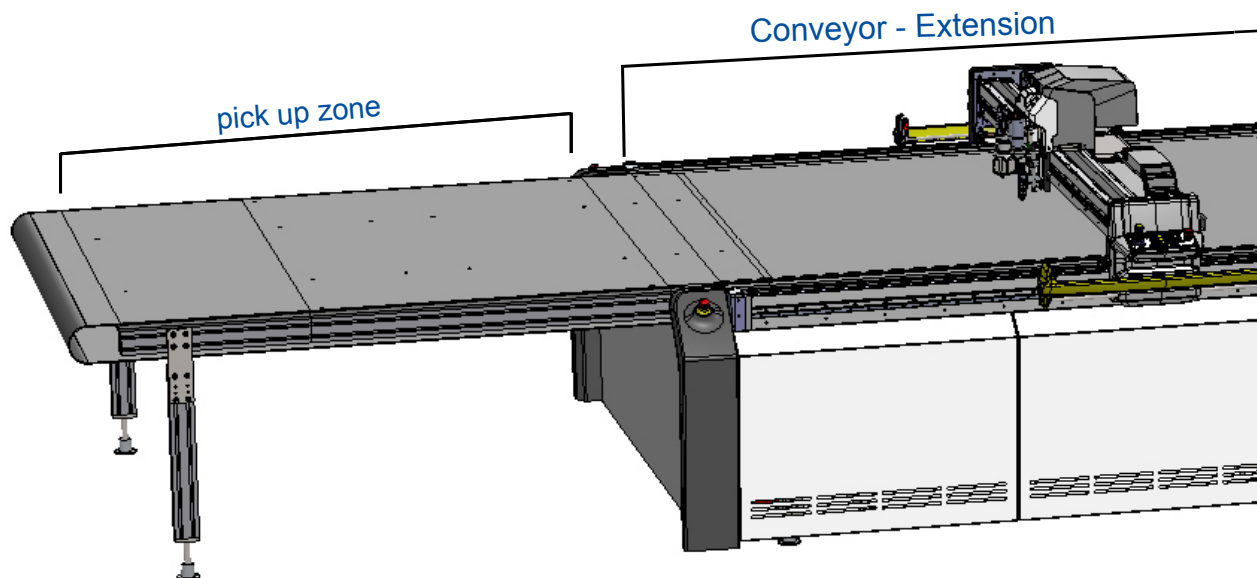
Air humidity

< 80 %

Temperature

15 – 35 °C

## Economic Workflow:

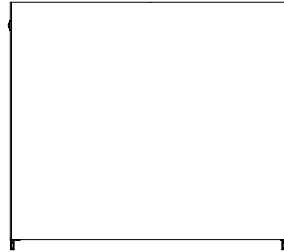


# A CLASS OF IT'S OWN- THE PREMIUMCUT

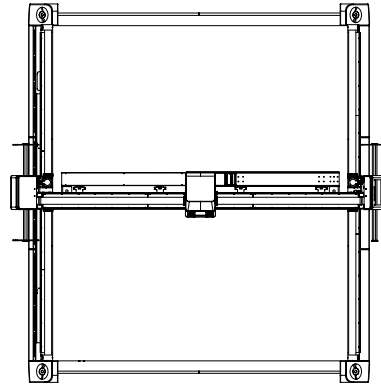
Supply



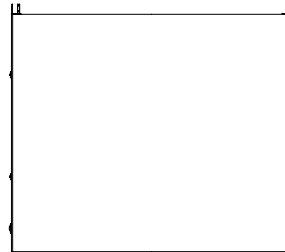
bring in zone  
viewing  
digitising  
nesting



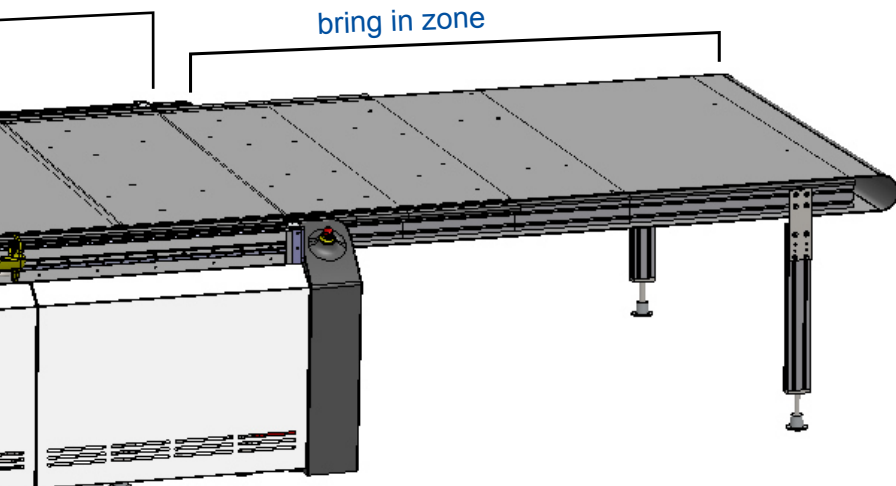
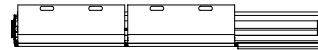
cutting zone



pick up zone



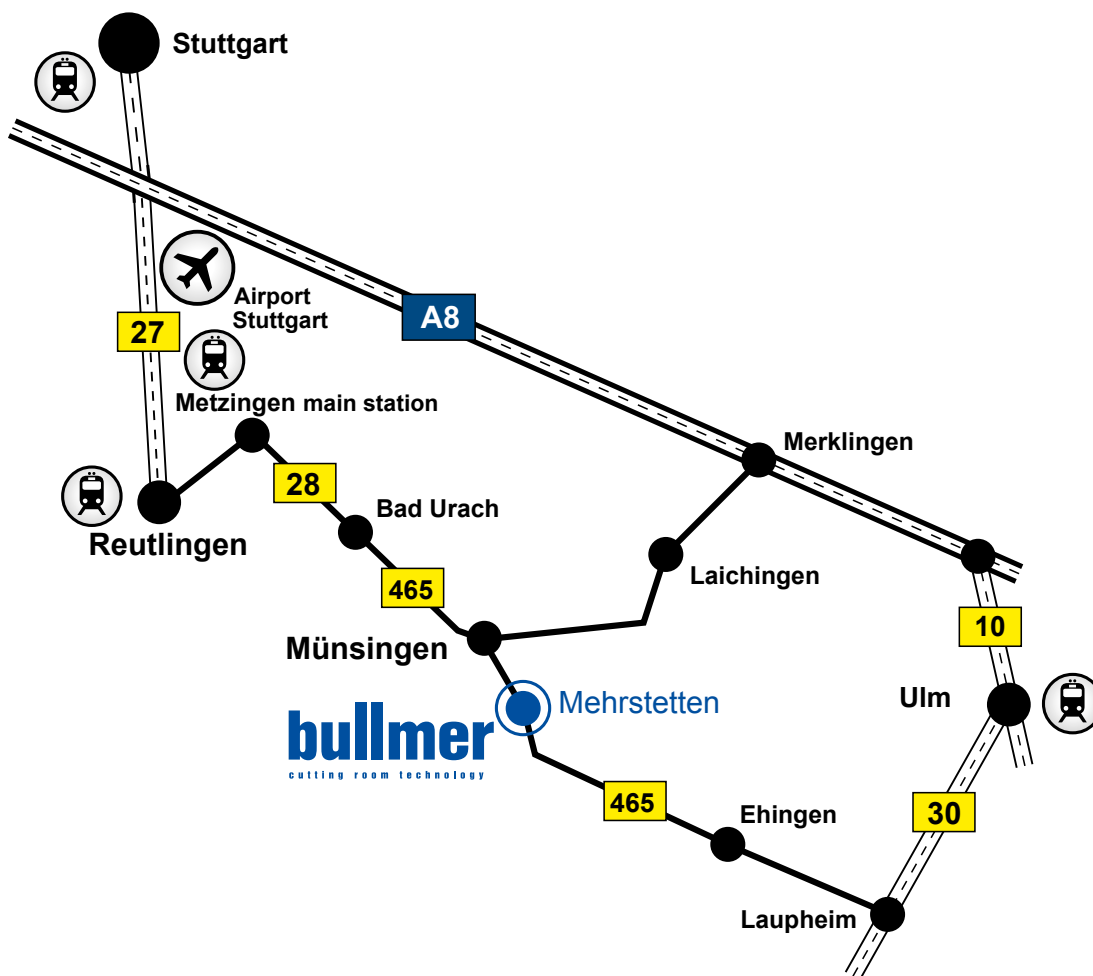
up rolling zone/ area



individual machinery settings:

# A CLASS OF IT'S OWN— THE PREMIUMCUT

how you can find us:



bullmer GmbH

Heutal 7 | Industriegebiet  
D-72537 Mehrstetten | Germany

Phone +49 7381 183-0

Fax +49 7381 723

Mail [info@bullmer.de](mailto:info@bullmer.de)  
[www.bullmer.de](http://www.bullmer.de)



Innovation  Made  
in  Germany

Owing to the dynamic nature and software development technical specifications are non-binding. They are subject to changes for the sake of technical progress. Performance data depend on the materials that are processed and apply on the condition that they are operated as specified and that the prescribed consumables, wear parts and original spare parts are used.

Procut CV / 1.D /0210 PR